

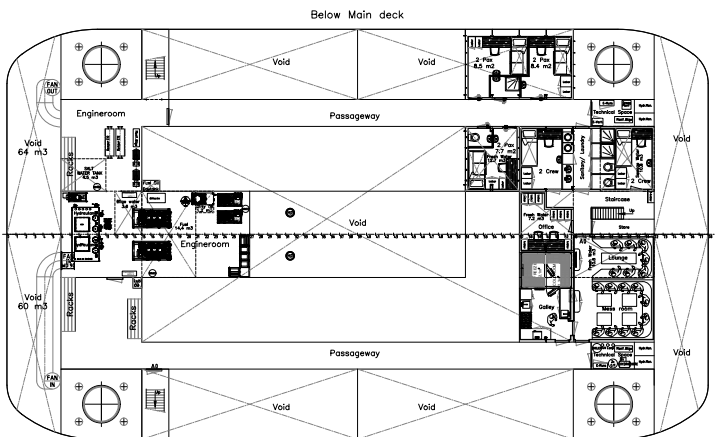
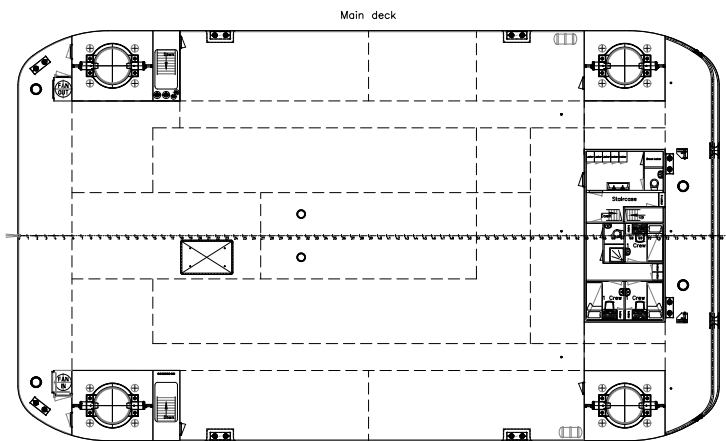
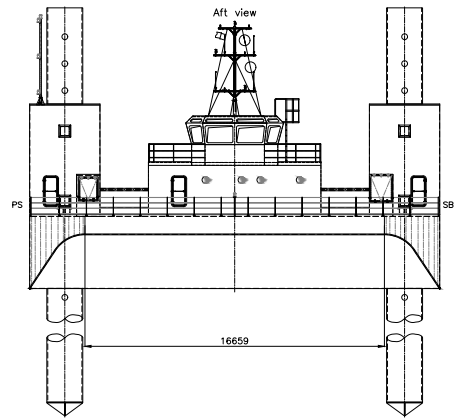
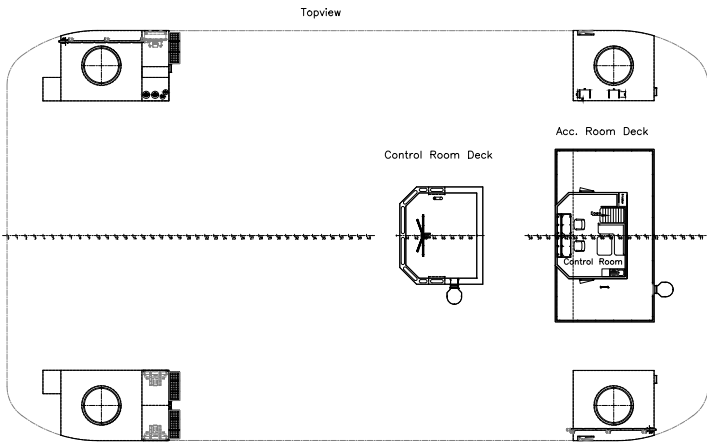
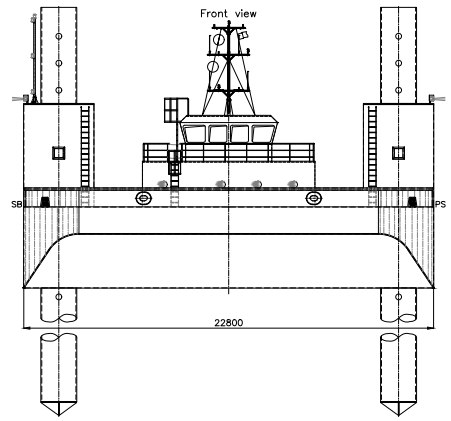
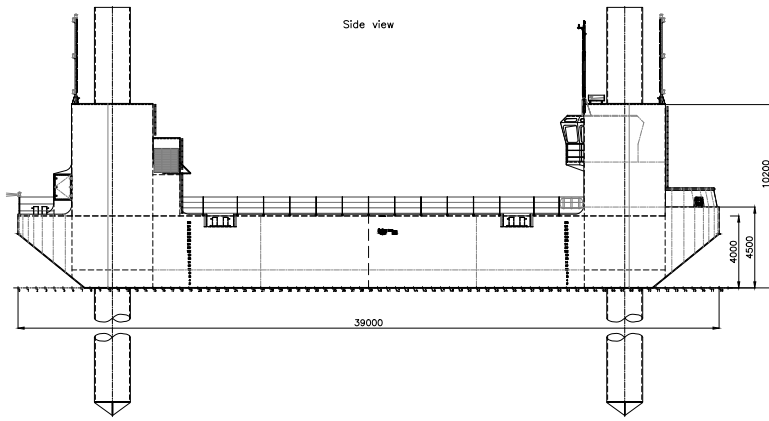


**NP 497 | Jack-Up barge**

GENERAL	
YEAR BUILT	2017
HOME PORT	Aalst
CLASSIFICATION	Bureau Veritas I ✘ HULL • MACH Offshore Self Elevating Unit, Coastal Area, Transit over 20 miles from shore with HS < 2.5m

DIMENSIONS	
LENGTH O.A.	39,00 meters
BREADTH MLD.	22,80 meters
DEPTH AT SIDE	4,00 meters
DRAFT	3,00 meters
OPERATING CONDITIONS	
MAX. DESIGN WATER DEPTH	39,99 meters
SPUD LEGS	
LEG LENGTH (MAIN PART)	41,60 meters
LEG LENGTH (EXTENSIONS)	24,00 meters
DIAMETER	2,00 meters
AUXILIARIES	
HPU JACKING SYSTEM	2x Caterpillar C18
GENERATOR SETS	2x Caterpillar C4.4
TOTAL E-POWER	142,4 kW
FIFI	2 raiser pumps for jacket fire fighting
JACK-UP	Single acting w/o freefall
ACCOMMODATION	
FACILITIES	Airconditioned accommodation for up to 11 persons (afloat) and 13 persons (jacked up)

CAPACITY	
FUEL OIL	14,4 m <sup>3</sup>
FRESH WATER	30,7 m <sup>3</sup>
JACKING PARAMETERS	
JACKING SPEED	15 m/hour
VARIABLE LOAD (PAYLOAD)	Approx. 750 tons
PRELOAD FORCE PER LEG	750 tons
PARAMETERS AT 30 M DEPTH	
CURRENT	1,5 m/sec
WIND VELOCITY (SURVIVAL)	16 m/sec (25 m/sec)
SIGNIF. WAVE HEIGHT (SURVIVAL)	3,0 meters (5,0 meters)
MAX. WAVE HEIGHT (SURVIVAL)	5,58 meters (9,30 meters)
PARAMETERS AT 35M DEPTH	
CURRENT	1,5 m/sec
WIND VELOCITY (SURVIVAL)	25 m/sec
SIGNIF. WAVE HEIGHT (SURVIVAL)	2,0 meters
MAX. WAVE HEIGHT (SURVIVAL)	3,72 meters
OPTIONS	
POSITIONING SYSTEM	4-point mooring system
ADDITIONAL ACCOMMODATION	Modular units



# NP 497 | Jack-Up barge



Geoseacore Ltd  
 For more information, please contact us on:  
 E: info@geoseacore.com W: www.geoseacore.com T: +44 7375412642

